

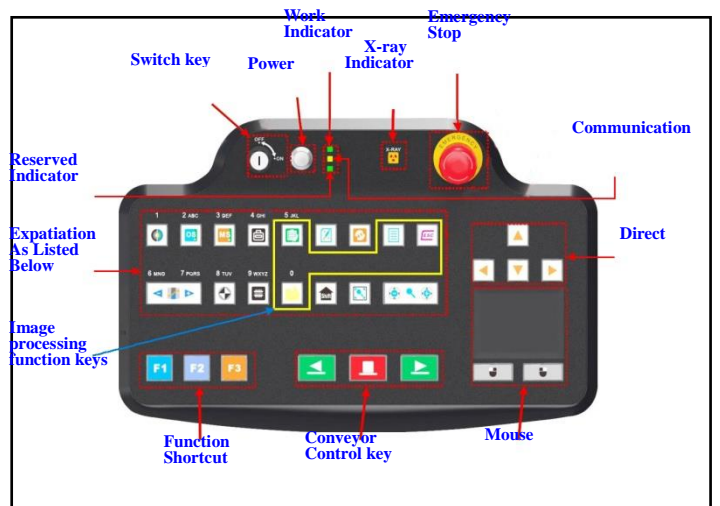
EUROSCAN – ES6550



ES6550



High resolution image



Friendly operation keyboard

◆ General Specification :

Tunnel Size: 650mm×500mm

Conveyor Speed: 0.22m/s

Conveyor height : 695mm

Conveyor Max Load:170kg

X ray Dose per inspection <1.14μSv

Wire Resolution: 40 AWG typical

Spatial resolution Level: dia1.0mm, Vertical: dia1.0mm

Penetration: 30 mm steel guarantee, 32mm steel typical

Penetration Resolution : 30AWG ,the wire visible below 15.9mm thick aluminum

Film Safety :Guarantee ASA/ISO1600 Film

X-ray Leakage: <0.5 μSv/h (at a distance of 5cm From external housing)

◆ Image System :

Technical Principle: Dual-energy X-ray Imaging; L Shaped Array,

X-ray Sensor: L-Shaped Photodiode Array (**multi-energetic**)

Monitor: High Resolution Color, LCD Accord, 17inch

Image Display: High resolution of 1024 * 1280 pixel; Image Grey Level: 65536

Image Enhancement: 1-64times enlargement continuity, Color/BW, negative, high/low penetration, organic /inorganic Stripping, general enhancement, and pseudo color, etc.

Image Recall: All preceding images recallable, retrieval.

Explosives & Narcotics Detection: Explosives & narcotics alarm and highlight according to atomic number signature

High Density Region Alarm: Impenetrable region alarm and highlight, for possible concealing of threats and contrabands

Threat Image Projection: Inserting fictional, but realistic images of threat items into baggage during screening operation, for maintenance of vigilance, as well as training and assessment of image identification capability

Image Archive: Up to 100,000 images stored automatically, enable transferring to USB disk, and converting to JPG, BMP and other general formats

Miscellaneous Functions : Time/date display, counters, user management, system-on/X-ray-on timers, power on self test, built-in diagnostic facilities, dual-direction scanning, system log, system standby and stimulant training, etc.

Network Applications: Multiple remote applications available based on Ethernet LAN and windows platform, such as image centralized storage and identify, recheck workstation, and network TIP, etc (Optional) .

Images process: 24bit real time processing ,4colors analysis, Images displayed marked date and ID NO ,Count the number of bags ,Memory gray level:65536

◆ Operating Environment:

Operation temperature/Humidity: 5°C-40°C/10%-95%(non-condensing)
Storage Temperature/Humidity: -20°Cto 60°C/ 5%-95%(non-condensing)
Operation Power: 220VAC(±10%)50±3Hz (Optional: 100VAC,110VAC,120VAC,200VAC)
Power Consumption: 1.0KW (max), 0.7KW(working)
Noise: <58db
Dimensions (L×W×H) :2195mm x902mm x1362mm
Device Weight: 465Kg
G.Weight: 700Kg
Packing Volume: 5.54CBM

◆ Computer Character:

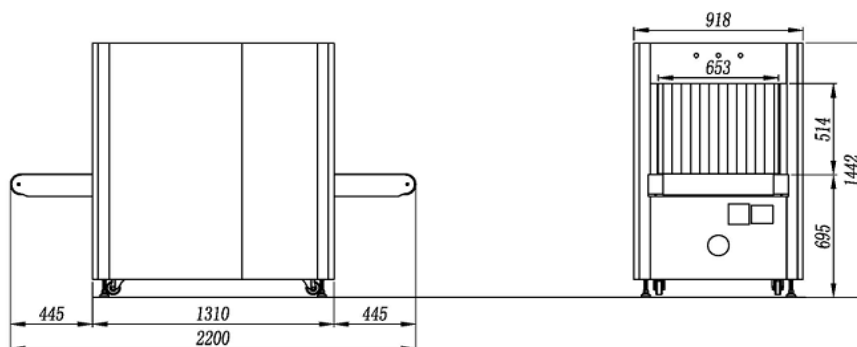
CASE: IPC7132
Power: 250W/ATX
Main board: AIMB 501G2
CPU: G1610 2.6G
Storage: 2GB 1600MHz DDR3 Innodisk
Hard Disk: SEAGATE 500G 3.5"

◆ X-ray Generator:

Anode Voltage: 140kv
Anode power: 0.35mA
Generate angle: 80 degree upward
Generate direct: from top to bottom
Cooling / Duty Cycle: Oil Cooling /100%

◆ Other Characters:

Detect PCB board: UK brand Sensortech
Extension Rollers: customize size length
Support card reader operator access
Computer system: XP system
Monitor: 17 inch DELL monitor



High resolution image

Friendly operation keyboard

◆ General Specification :

Tunnel Size: 500mm×300mm

Conveyor Speed: 0.22m/s

Conveyor height : 663mm

Conveyor Max Load:150kg

X ray Dose per inspection <0.1.25μSv

Wire Resolution: 40 AWG typical

Spatial resolution Level: dia1.0mm,Vertical: dia1.0mm

Penetration: 30mm steel guarantee ,32mm steel typical

Penetration Resolution: guarantee 32AWG, 34mm steel typical

Film Safety :Guarantee ASA/ISO1600 Film

X-ray Leakage: <0.87 μSv/h (at a distance of 5cm From external housing)

◆ Image System :

Technical Principle: Dual-energy X-ray Imaging; L Shaped Array,

X-ray Sensor: L-Shaped Photodiode Array (**multi-energetic**) , 12bit Deep

Monitor: High Resolution Color, LCD Accord, 17inch

Image Display: High resolution of 1024 * 1280 pixel; Image Grey Level: 65536

Image Enhancement: 1-64times enlargement continuity, Color/BW, negative, high/low penetration, organic /inorganic Stripping, general enhancement, and pseudo color, etc.

Image Recall: All preceding images recallable, retrieval.

Explosives & Narcotics Detection: Explosives & narcotics alarm and highlight according to atomic number signature

High Density Region Alarm: Impenetrable region alarm and highlight, for possible concealing of threats and contrabands

Threat Image Projection: Inserting fictional, but realistic images of threat items into baggage during screening operation, for maintenance of vigilance, as well as training and assessment of image identification capability

Image Archive: Up to 100,000 images stored automatically, enable transferring to USB disk, and converting to JPG, BMP and other general formats

Miscellaneous Functions : Time/date display, counters, user management, system-on/X-ray-on timers, power on self test, built-in diagnostic facilities, dual-direction scanning, system log, system standby and stimulant training, ADS etc.

Network Applications: Multiple remote applications available based on Ethernet LAN and windows platform, such as image centralized storage and identify, recheck workstation, and network TIP, etc (Optional) .

Images process: 24bit real time processing ,4colors analysis, Images displayed marked date and ID NO ,Count the number of bags ,Memory gray level:65536

◆ Operating Environment:

Operation temperature/Humidity: 5°C-40°C/10%-95%(non-condensing)

Storage Temperature/Humidity: -20°Cto 60°C/ 5%-95%(non-condensing)

Operation Power: 220VAC(±10%)50±3Hz (Optional: 100VAC,110VAC,120VAC,200VAC)

Power Consumption: 1.0KW (max), 0.7KW(working)

Noise: <58db

Dimension Size

Dimensions (L×W×H) :1660mm x746mm x1165 mm

Device Weight: 330Kg

G.Weight: 470Kg

Packing Volume: 2.35CBM

◆ Computer Character:

CASE: GT6058

Power: 300W/ATX

Main board: H61 SYM76993VGGA

CPU: G1610 2.6G

Storage: 2GB 1600MHz DDR3 Innodisk

Hard Disk: SEAGATE 500G 3.5”

◆ X-ray Generator:

Anode Voltage: 140kv

Anode power: 0.35mA

Generate angle: 80 degree upward

Generate direct: from bottom to top

Cooling / Duty Cycle: Oil Cooling /100%

◆ Other Characters:

Sensortech

Extension Rollers: customize size length

Support card reader operator access

Computer system: XP system

UPS: 15mins, 30mins, 60mins etc, optional

**Detect PCB
board:** UK
brand

